



Sur-Lock™

2000EE Controlled Access Security Device

Installation Instructions

IMPORTANT: Read and follow these instructions carefully. If you are encountering difficulty installing your new Sur-Lock™ or are having trouble understanding any part of these instructions, please stop immediately and consult your dealer. Your satisfaction and your safety are important to us and we have made every effort to see that these instructions are clear and accurate.

Limited Warranty: LockNet, LLC warrants the Sur-Lock™ EE to be free from defects in materials or workmanship for a period of three (3) years on mechanical components/hardware, and one (1) year on electrical components/hardware. This warranty begins on the date of shipment from LockNet. This warranty does not cover products that are (i.) used inappropriately for the application; (ii.) are not installed in accordance with LockNet's published instructions; (iii.) are installed with improper or incorrect parts or accessories; (iv.) have been, in LockNet's opinion, modified, repaired, or altered in any way without LockNet's expressed written consent; (v.) are used for purposes for which they were not designed or intended; or (vi.) are subjected to misuse, abuse, negligence, or accident. The following costs are not covered by this limited warranty: (i.) labor costs for the removal and reinstallation of the products; (ii.) shipping and freight expenses required to return products to LockNet; (iii.) normal maintenance; and (iv.) economic losses. LockNet will replace the products which, in LockNet's opinion, are found to be defective, provided LockNet has been notified in advance, an RMA issued, and said products are returned to LockNet. LockNet shall in no event be liable for incidental, consequential, indirect, special, or punitive damages for any claim whether based on contract, warranty, tort (including, but not limited to, strict liability or negligence), patent infringement, or otherwise, even if advised of the possibility of such damages. This limited warranty supersedes all other warranties. Other than those warranties expressly made above, LockNet, LLC makes no warranty or representation to the end user, installer, contractor, reseller, OEM, dealer or any third party as to the performance or operation of any of LockNet's products or services. Any other expressed or implied warranties including, but not limited to, merchantability and fitness to a particular purpose, are hereby excluded. LockNet's liability, if any, will be limited to the actual price paid by the customer for the product and will in no event include consequential, incidental, indirect, special or other damages of any kind, even if LockNet, LLC has been notified of the likelihood of such damages occurring. LockNet, LLC neither assumes, nor authorizes any other person or entity to assume for it, any other warranty concerning its products.



305 Panic Hardware
U.S. Patent No. 5,410,900

©2019 LockNet, LLC

LockNet is a registered trademark of LockNet, LLC
Sur-Lock is a trademark of LockNet, LLC

TOOLS NEEDED

- 1/4" Drill Bit
- 1-1/8" Hole Saw
- 7/16" Deep Socket
- 1/8" Drill Bit
- Exterior Silicon Caulk
- 3/8" and 7/16" Open End Wrench
- Torx T25 Security Wrench (Supplied)

1. To locate the area where the device is to be installed on the door, measure 45" up from the bottom of the door. Make a mark. This mark is used to locate the top of the door drill template, on retro fit doors. Remove all door hardware located in the area where the lock is to be installed.
2. Drill (6) holes in the door using the door drill template. Following the instructions on the drill template, drill four (4) 1/4" and two (2) 1-1/8" holes in the door. NOTE: The door must be in the closed position for correct placement location of the drill template.
3. From the outside of the door, align the stainless flat bar, (figure 1, item #06) with the two (2) 1/4" holes drilled in the center of the door; push two (2) 1/4-20 X 2-1/2 bolts through the door. Mount the device to the inside of the door. IMPORTANT: Make sure the wiring for the keypad is pushed through the 1-1/8" hole in the door. Secure the device to the door using the nylon insert nuts (figure 1, item #08).
4. Place the stainless plate (figure 1, item #9) over the shaft and push two (2) 1/4-20 carriage bolts through the plate, door, and device. Secure with two (2) lock nuts (figure 1, item #08). CAUTION: Do not over tighten bolts as this may cause the door to bow.
5. Complete the handle and handle hardware installation (figure 1, item #10) by installing the plastic ring over the shaft (the cutout over key); install the pin into the hole in the shaft, centering the pin in the shaft. Push the handle onto the shaft. Align the cutout in the handle with shaft pin. Tighten with 1/4 20 bolt. Make sure the handle operates freely. Place the sticker on the handle.
6. Check the distance of the locking rod from the door jamb stop. The locking rod should just clear the door stop. If necessary, adjust the locking rod by loosening the jamb nut (figure 3) and turning the locking rod as needed to obtain the proper clearance. Once adjusted, tighten the jamb nut securely.

7. Install outside keypad (figure 1, item #11). Connect the wiring harness installed from step 3 to the keypad. While holding the keypad against door, use the screw holes in keypad as a guide and drill two (2) 1/8" holes in the door. Secure the keypad to the door with the screws supplied.
8. With the door closed, slide the latch (figure 2, item #20) over the locking rod making sure the door latches. Holding the latch against the door frame, mark around the outside of the latch; open the door; remove the paper backing from the adhesive tape on the back of latch and position the latch on the door frame, aligning it with the marks made earlier; attach the latch to the frame through the two (2) slotted holes in latch using torx self-drilling screws. **DO NOT YET TIGHTEN SECURELY.** Make any final adjustments so the door closes and locks securely. Now tighten the screws. Finish securing the latch by installing torx self-drilling screws (contained in figure 2, item #20) in the four (4) corner holes.
9. Secure the 12 volt DC power cable to door and connect to 12V DC power supply.
10. Install the lock's front covers (figure 1, item #12 and item #14) using torx security screws (figure 1, item #13).
11. Complete the installation of the keyless entry package (DKYSLRH or DKYSL LH), making sure to follow the installation instructions accompanying that kit. Then return to this document and proceed with the next steps.
12. Test the device for proper operation.
13. Check the door closer as it may need to be adjusted.
14. Use exterior silicon caulk to seal around the outside edge of the stainless steel plates to prevent water from getting between the door and the door plates.

NOTICE: The Sur-Lock™ is preset during manufacturing to meet specified code compliance. Any alteration or re-adjustment of internal operational components other than what is described in this manual may void all code compliance and its warranty.

For Assistance, Contact LockNet Immediately At (800) 887-4307

LOCKNET SUR-LOCK™ EE

Figure 1

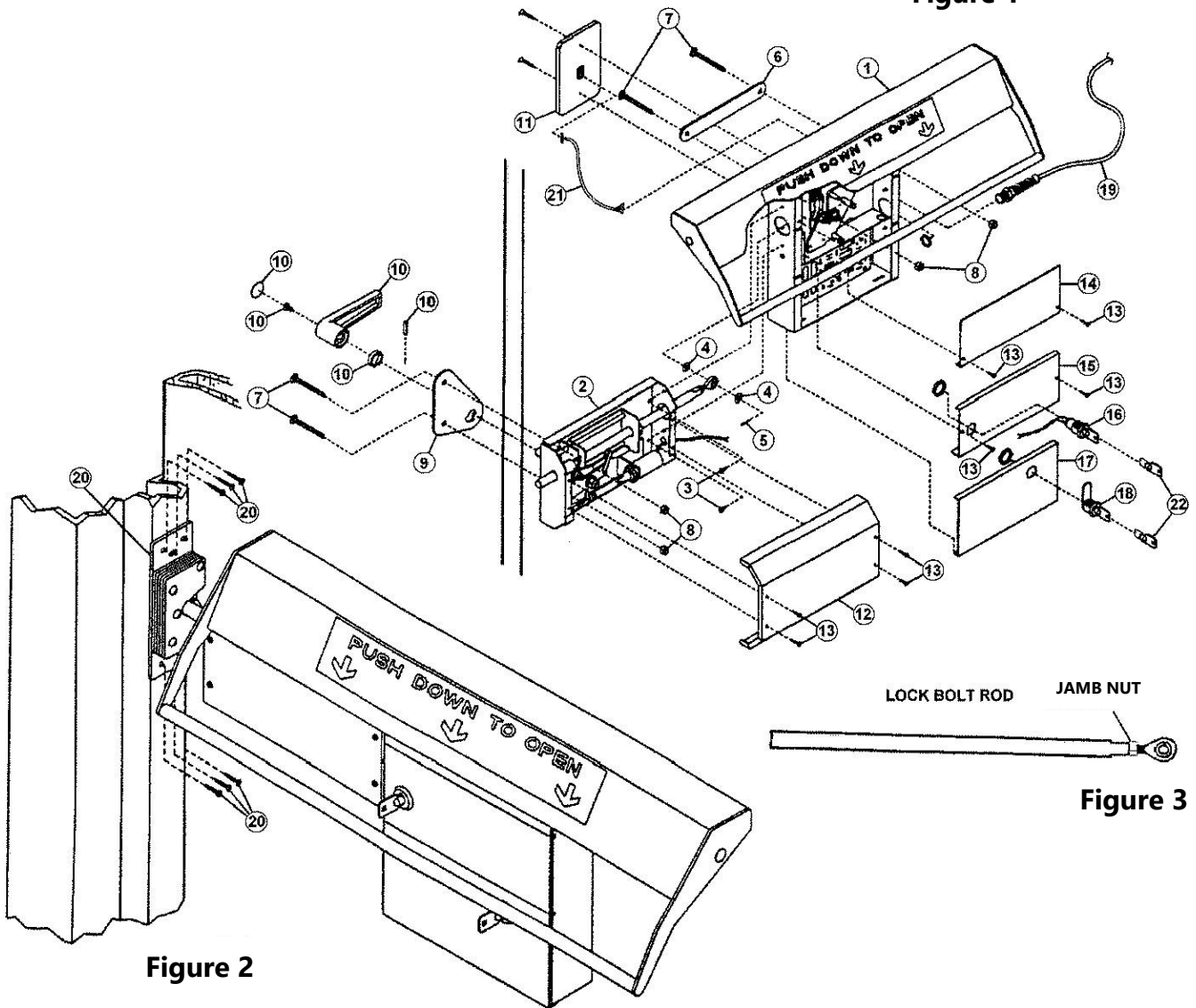


Figure 2

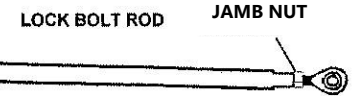


Figure 3

Item	Qty	Part No	Description	Item	Qty	Part No	Description
01	1	2011-02	Alarm Sub Assembly	12	1	3216-01	Lock Assy Cover #4 Painted
02	1	2012-01	Latch Sub Assembly Left Hand Rev	13	8	8417-01	10 X 1/2 Torx Security Screw
02	1	2012-02	Latch Sub Assembly Right Hand Rev	14	1	3219-01	Lock Assy Cover #1 Painted
03	2	8402-01	Screw, 10-32 X 3/8 Indented Hex	15	1	3221-01	Lock Assy Cover #2 Painted
04	2	8017-03	1/4" Flat Washer	16	1	8435-01	Key Switch - Lock With Nut
05	1	8018-01	Cotter Pin 1/16" Dia. 3/4" L	17	1	3220-01	Lock Assy Cover #3 Panted
06	1	3215-01	Outside Door Strap, 10 Ga	18	1	8434-01	Cam Lock
07	4	8001-01	Carriage Bolt 1/4-20 X 2 1/2	19	1	8445-01	Electronic Cable Approx 4'
08	4	8003-01	Nylon Insert Nut 1/4-20	20	1	1008-01	Latch Assembly
09	1	3214-01	Outside Door Plate	21	1	14001002	Cable Stub Harness 12 Con
10	1	1025-01	Handle - Modified & Packaged Hdw	22	1	14001006	Key, Fort Lock Gem Tube 25236
11	1	8440-01	Essex 3" x 4" Keypad				

LOCKNET SUR-LOCK™ EE LATCH SUB ASSEMBLY

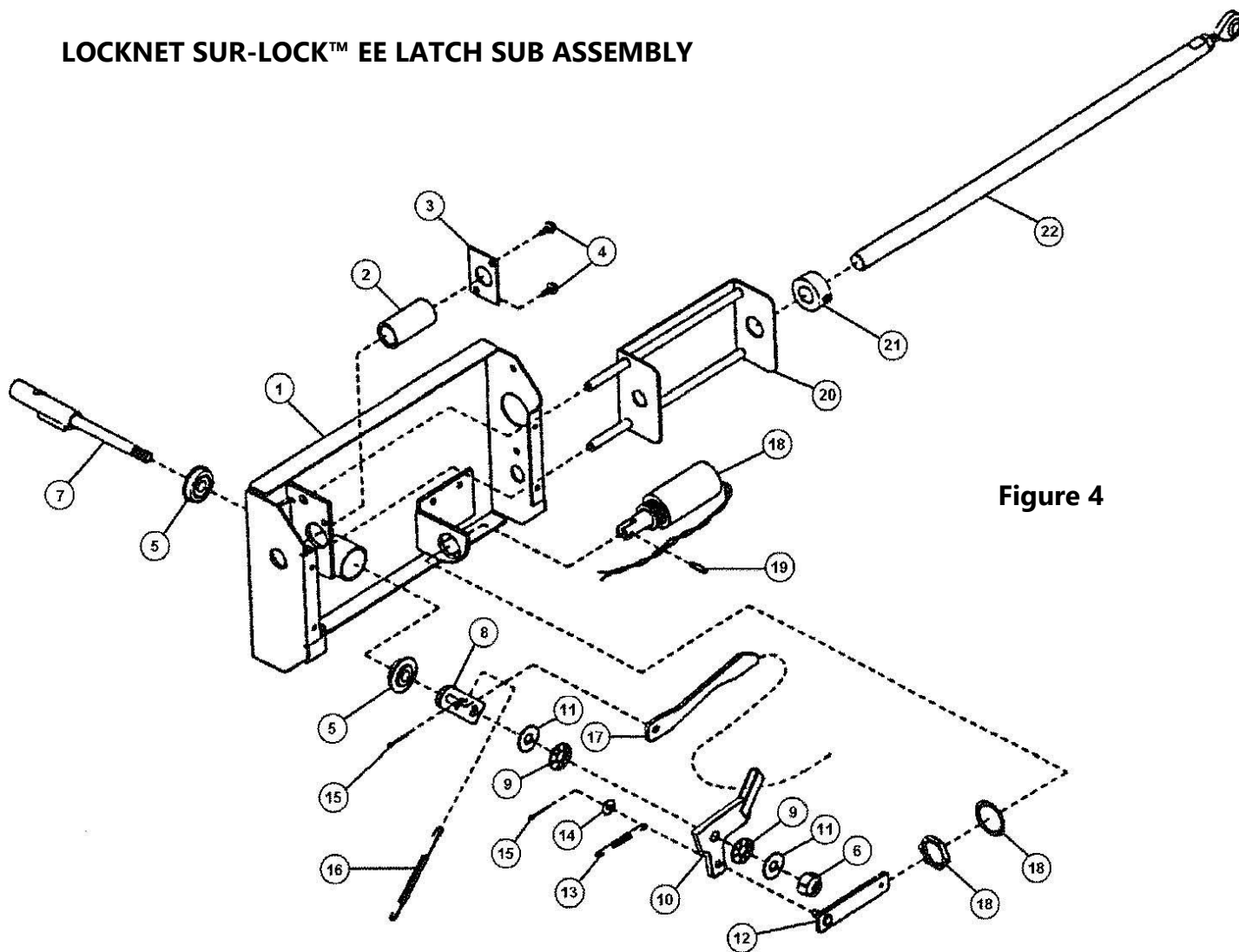


Figure 4

Item	Qty	Part No	Description	Item	Qty	Part No	Description
01	1	3225-01	Latch Housing Assembly Left Hand Rev	11	2	8008-01	Thrust Washer
01	1	3225-02	Latch Housing Assembly - Right Hand Rev	12	1	3223-01	Connecting Bar
02	1	8429-01	Bolt Guide: Steel Bushing	13	1	8439-01	Lift Cam Spring
03	1	3213-01	Bushing Lock	14	1	8433-01	3/16" Flat Washer
04	2	8402-01	#10-32 X 3/8" HWH Thread-Cutting Screw	15	2	8018-01	Cotter Pin 1/16" Dia 3/4 L
05	2	8425-01	Flange Bearing	16	1	8428-01	Handle Return Spring
06	1	8003-02	Nylon Insert Lock Nut: 5/16-18	17	1	3207-01	Trip Arm
07	1	8427-01	Shaft: Welded Assembly	18	1	8436-01S	Solenoid w/Nut & Washer
08	1	3224-01-A	Rod Connector - Left Hand Rev	19	1	8432-01	1/8" Roll Pin
08	1	3224-02-A	Rod Connector - Right Hand Rev	20	1	3226-01	Release Block Assembly
09	2	8009-01	Roller Bearing	21	1	8430-01	1/2" Collar
10	1	3229-01	Lift Cam Assembly	22	1	2003-02	Lock Bolt Assembly

LOCKNET SUR-LOCK™ EE ALARM SUB ASSEMBLY

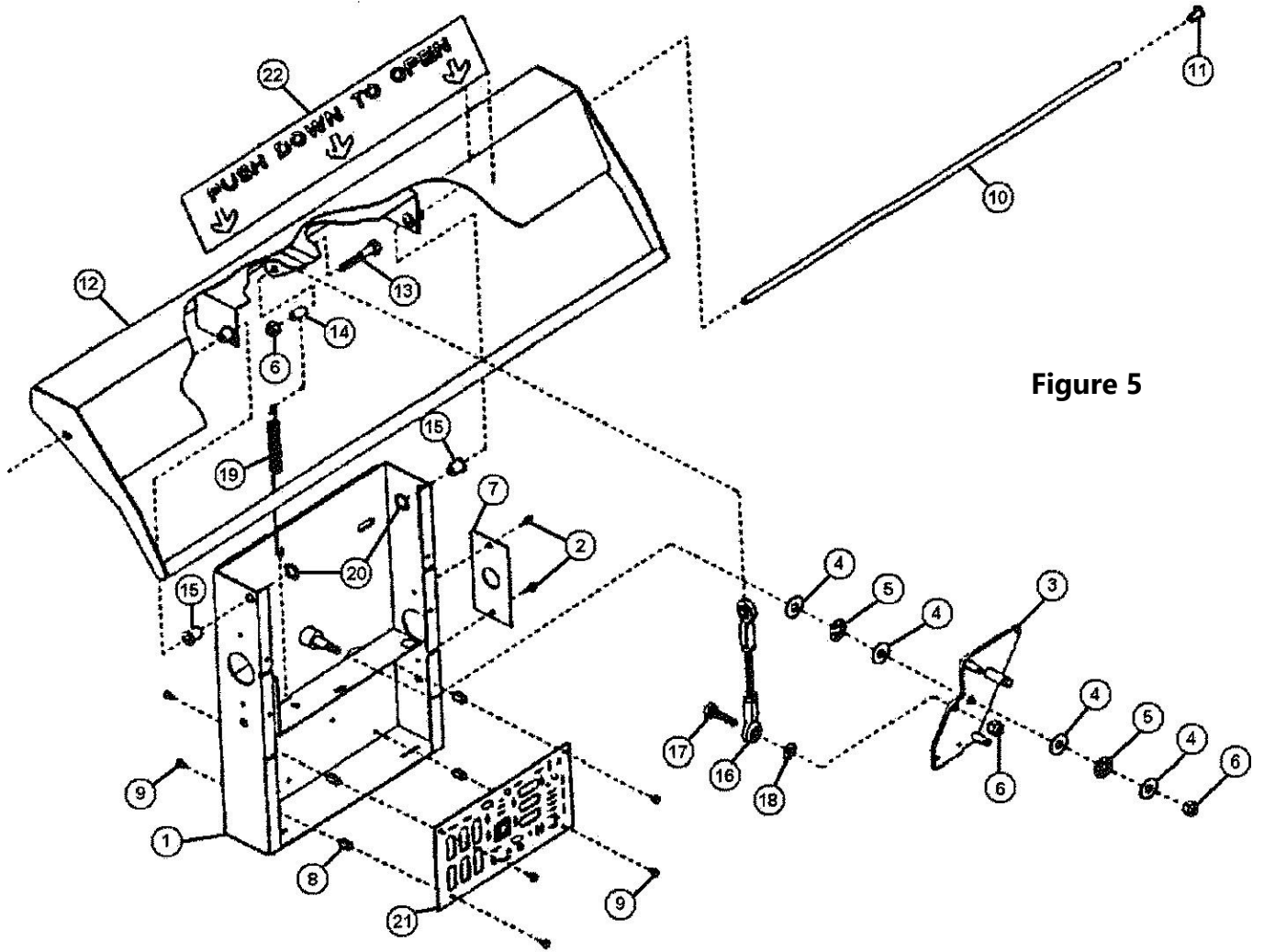


Figure 5

Item	Qty	Part No	Description	Item	Qty	Part No	Description
01	1	3230-01	Housing Assembly	11	2	8439-01	Plastic Hole Plug
02	2	8402-01	#10-32 X 3/8" HWH Thread- Cutting Screw	12	1	3015-01	Release Bar Assembly
03	1	3013-01	Pivot Plate Assembly	13	1	8014-03	1/4-20 X 1 1/2" Hex Head Cap Screw
04	4	8008-01	Washer Thrust	14	1	8015-01	Bronze Bushing: 1/2" Long
05	2	8009-01	Roller Bearing	15	2	8013-01	Bronze Bushing: Flanged : 1/2" Long
06	3	8003-01	Nylon Insert Locknut: 1/4-20	16	1	2002-01	Pivot Plate Push Rod Assembly
07	1	3201-01	Power Inlet	17	1	8014-02	1/4-20 X 1" Hex Head Cap Screw
08	4	8422-01	Aluminum Standoff	18	1	8017-03	1/4" Flat Washer
09	8	8424-01	#6-32 X 1/4" Machine Screw	19	1	8020-02	Spring
10	1	3014-01	Handle Pivot Rod	21	1	8437-01	Essex Control Module Assembly
				22	1	7903-01	Release Bar Label